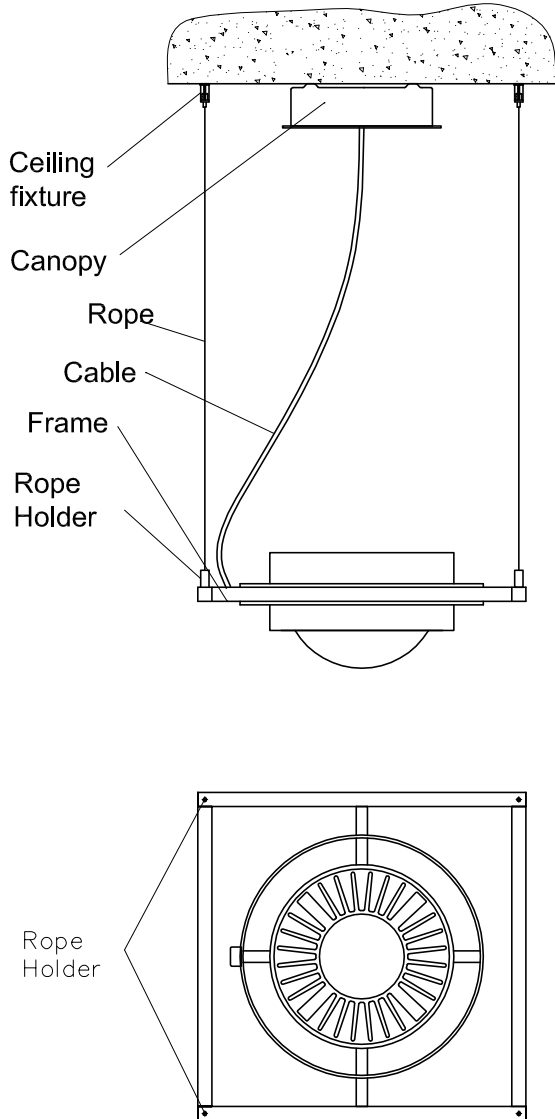


Ocular 1 LED

Light: LED

The luminaire was designed and built taking into account the harmonized standards to be observed and other technical specifications. It thus corresponds to the state of the art and enables safe operation. The luminaire may only be used in its intended function.

Front- und Draufsicht



Note:

The distance to the ceiling, as well as to objects and persons under the luminaire, must be at least 0.5m when swung out.

ATTENTION!

Before installation, the connecting cable must be de-energized.

Assembly:

It is recommended that the installation be carried out by a specialist company. We ask for your understanding that we can only assume a warranty if properly installed

- ① Determine the position of the luminaire in the room and place it on a clean, soft surface.
- ② Solder the attachment points to the ceiling and mount the ceiling fasteners on the points that have just been soldered.
- ③ Mount the housing of the ceiling box in the desired position.
- ④ Pass the cable through the lid of the ceiling box, which will initially rest on the lamp.
- ⑤ Pull the wire ends far enough through the caps of the ceiling fasteners so that the balls are in the caps. Then screw the caps on the ceiling fasteners.
- ⑥ Insert the rope ends into the rope holders.
- ⑦ Bring the lamp to the desired height and then shorten the protruding ropes.
- ⑧ Now pull the cable through the strain relief clamp in the mounting box and tighten it. The cable is set so that it describes a slight S-shape.
- ⑨ Shorten the cable and connect it.
- ⑩ Slide the cover up and fix it with the fixing screws.

Dimming:

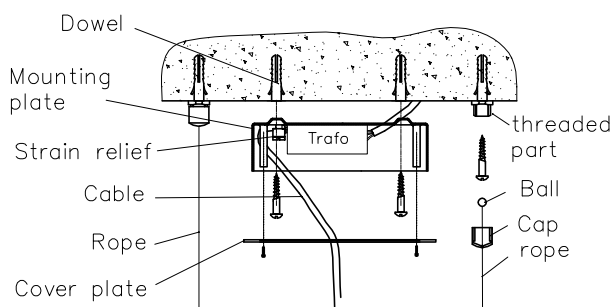
Ballasts with a 1-10V interface are installed in the luminaire.

If you want to dim the light, you need a control cable and a dimmer for 1-10V.

Cleaning:

It is recommended to clean the lamp with a soft, dry cloth. To clean the lens, a commercial glass cleaner can be used.

Construction canopy



Handling the rope holder

