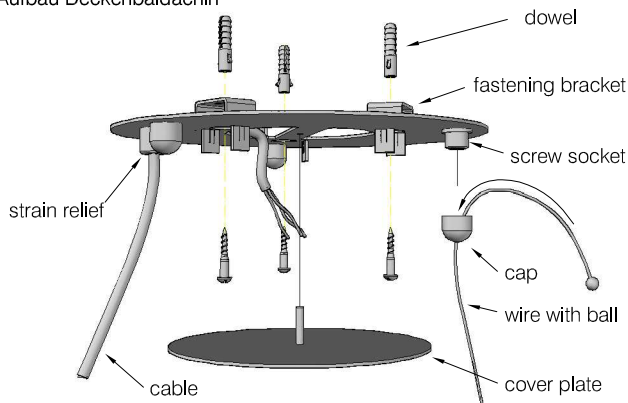


Aufbau Deckenbaldachin



Note:

The safety distance from the ceiling, and from objects or persons below the lamp, must be a minimum of 0.5 m when swivelled out.

ATTENTION!

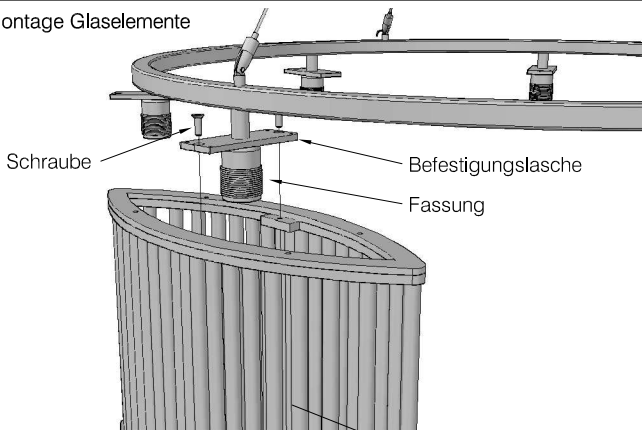
The connection cable must be isolated from the mains before assembly.

Assembly:

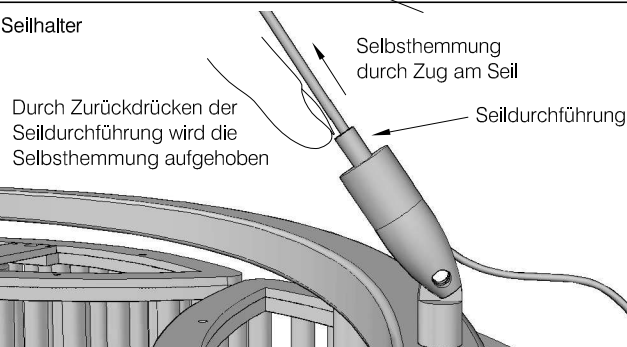
It is recommended that assembly is implemented by a specialist company. We ask for your understanding that we can only offer a guarantee if assembly is implemented correctly.

1. Determine the position of the lamp in the room and then place the lamp on a clean, soft surface on the floor.
2. Align the centerpoint of the lamp with the ceiling and fasten the mounting plate of the canopy to the ceiling.
3. Unscrew the caps on the canopy plate and pass the balls of the wire ends through them. Then screw the caps back on.
4. Insert the wire ends into the wire holder of the lamp and pull the wire. Insert the lamp cable from below through the strain relief of the canopy.
5. Shorten the cable to the required length and then connect it to the supply lead.
6. Screw the cover plate to the mounting plate. Make sure you do not continue to screw it down once the plate has come into contact with the mounting plate contact points.
7. Align the lamp with the help of a spirit level. Please note the graphic for the wire holder operating principle.
8. Adjust the cable length and lightly tighten the locking screw of the strain relief.
9. Mount the glass elements with the countersunk screws on the brackets, they can be turned for the assembly step.

Montage Glaselemente



Seilhalter



Dimming:

The light is dimmable, depending on the light source. Please read the instructions of the illuminant manufacturer.

Cleaning:

Only clean the lamp when it is completely cooled down. We recommend cleaning the lamp with a soft, dry cloth. A commercial glass cleaner can be used to clean the glass rods.