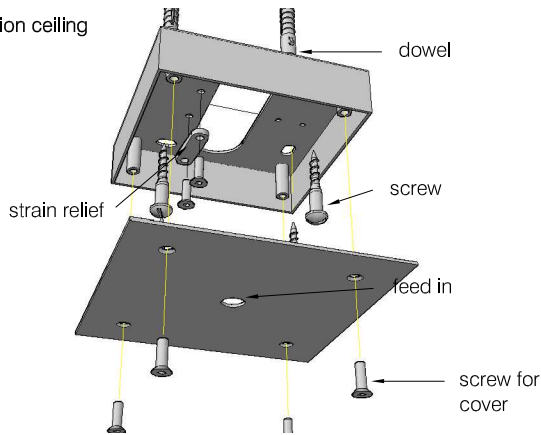
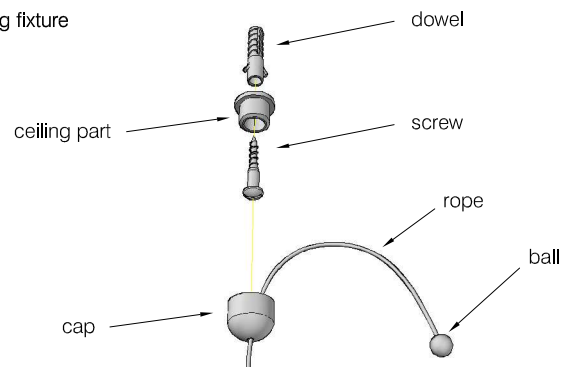


Construction ceiling canopy



Ceiling fixture



Note:
The distance to the ceiling, as well as to objects and persons under the luminaire, must be at least 0,5m in each case.

ATTENTION!
Before installation, the connecting cable must be de-energized.

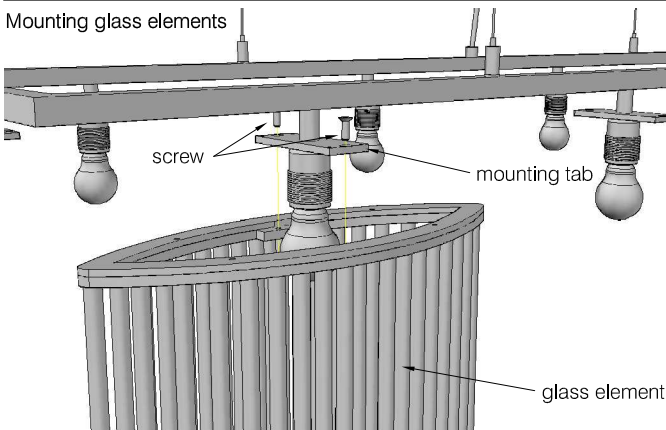
Assembly:
It is recommended that the installation be carried out by a specialist company. We ask for your understanding that we can only assume a warranty if properly installed.

1. Determine the position of the chandelier in the room and place it on a clean, soft surface on the floor first.
2. Solder the suspension and cable entry to the ceiling.
3. Attach the ceiling brackets to the ceiling, pull the rope through the cap and ball it onto the ceiling part.
4. Insert the rope ends into the rope holders of the chandelier and pull the rope through the rope holder until the chandelier hangs at the desired height.
5. Insert the light cable through the lid of the canopy and clamp it under the strain relief. Then shorten the cable and connect it to the supply line.
6. Adjust the candlestick with the aid of a spirit level and then shorten the projecting ropes. Observe the illustration for handling the cable holders.
7. Mount the glass elements with the countersunk screws on the fixing lugs, these can be turned for assembly.

dimming:
The light is dimmable, depending on the light source. Please read the instructions of the illuminant manufacturer.

Cleaning:
It is recommended to clean the lamp with a soft, dry cloth. The glass elements can be cleaned with any commercially available glass cleaner.

Mounting glass elements



Rope holder

