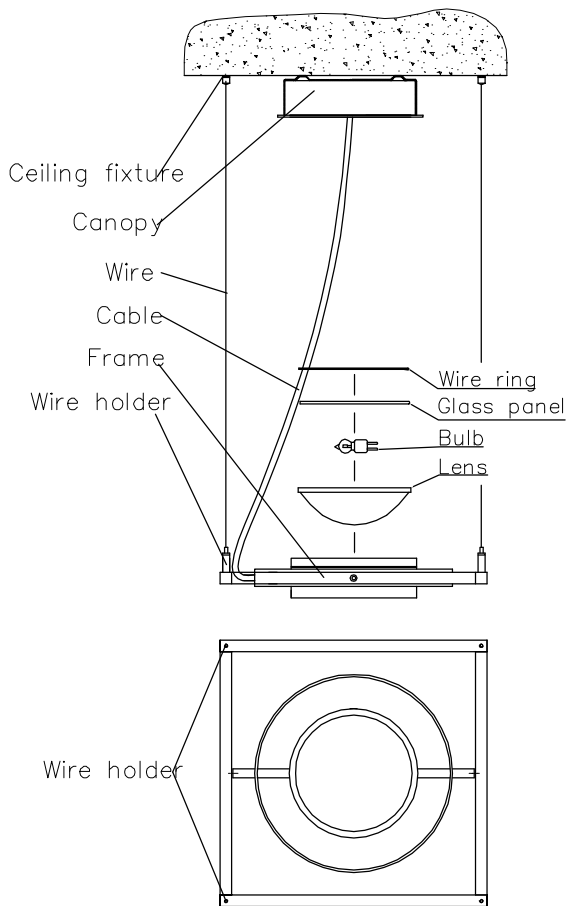


Ocular 1 Niedervolt

Light source: Halostar ECO (Osram), Socket: GY6.35

The lamp has been designed and built in accordance with applicable harmonised standards and other technical specifications. It is therefore state-of-the-art and ensures safe operation. The lamp may only be used for the intended purpose.

Front and top view



Note:

Hang the lamp at eye level or just slightly higher. This prevents being dazzled by the light. The safety distance from the ceiling and from, e.g. a table below the lamp, must be a minimum of 0.5 m.

ATTENTION!

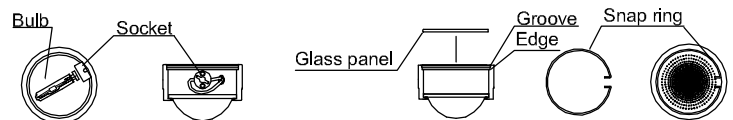
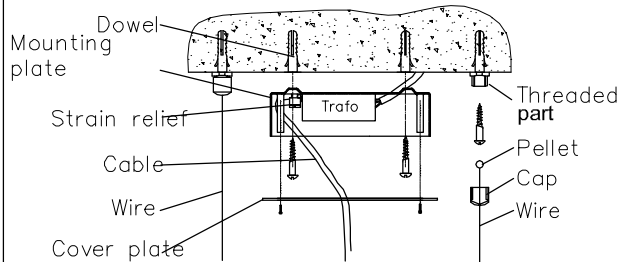
The connection cable must be isolated from the mains before assembly.

Assembly:

It is recommended that assembly is implemented by a specialist company. We ask for your understanding that we can only offer a guarantee if assembly is implemented correctly.

- ① Lay the lamp on the table or floor and position it according to where you want it, e.g. over the table or in the room.
- ② Align the securing points on the ceiling and mount the ceiling fixture on the aligned points.
- ③ Mount the housing of the ceiling box at the required position.
- ④ Guide the cable through the cover of the ceiling box, leave it lying on the lamp for the time being.
- ⑤ Pull the wire ends through the caps of the ceiling fixture, until the pellets stay in the caps. Then screw tight.
- ⑥ Insert the wire ends into the wire holder.
- ⑦ Lift the lamp to the required height and then shorten the protruding wires.
- ⑧ Pull the cable through the strain relief clamp in the mounting box and pull it through. Adjust the cable so that it forms a light S shape.
- ⑨ Shorten the cable and then connect it.
- ⑩ Push the cover up and fasten in place with the fastening screws.

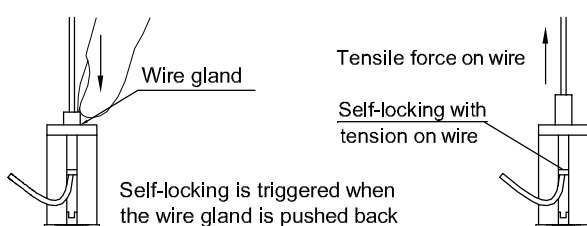
Canopy structure



Bulb installation:

- ① Insert the lens (with the curve facing downwards) in the lamp head.
- ② Press the Bulb with both pins into the two holes of the socket. Do not touch the glass bulb itself during insertion.
- ③ Place the glass panel with the printed side upwards on the inner edge of the lens housing and insert the snap ring in the groove.

Wire holder principle



Dimming:

The lamp can be dimmed with a trailing edge-phase dimmer. The total Watt value of all luminaires must not exceed the maximum Watt value of the dimmer.

Cleaning:

We recommend cleaning the lamp with a soft, dry cloth. A commercial glass cleaner can be used to clean the lens.